

# TEMPTEK DESICCANT DRYER

- **Self-Contained Dryer/ Hopper Design**
- **Throughput 15 - 50 lb/hr**
- **3 Models to choose from:**
  - **NDB-15-T**
  - **NDB-25-T**
  - **NDB-50-T**

**In Stock  
Quick Shipment!**

**TempTek desiccant dryers** use the industry standard dual-bed drying concept in a compact single blower configuration. One blower and multi-function valve control both the process and regeneration flow and the heaters are contained within the desiccant beds to minimize space.

- Guaranteed -40°F dewpoint process air
- Dual bed, stainless steel construction
- Integrated stainless steel insulated drying hoppers with large access door and sight glass (200 lb. hopper is carbon steel)
- Compact design with single blower and a multi-function valve to control both the process and regeneration heaters contained within the desiccant beds to save space.
- Standard voltage 115/1/60 for NDB-15-T, 460/1/60 for NDB-25-T and 460/3/60 for NDB-50-T
- Cyclonic 2 stage process filter
- High heat up to 350° F (cooling coil required over 225° F)
- Tubular Incoloy® sheath heaters
- Nema 1 enclosure
- Main line contactor
- High efficiency 13X molecular sieve desiccant
- Slide gate shut off
- Analog thermometer at hopper inlet
- 1 Year warranty



**NDB-25-T**

## **Micro PLC Based Control**

- Over-temperature alarm and shutdown with indication
- Auto-tune PID temperature control with dual LED display
- Full function graphic display.



**THERMAL  
PRODUCTS** INC.  
Engineered Solutions To  
Industrial Applications

**PRICE & PERFORMANCE... for the LONG TERM**

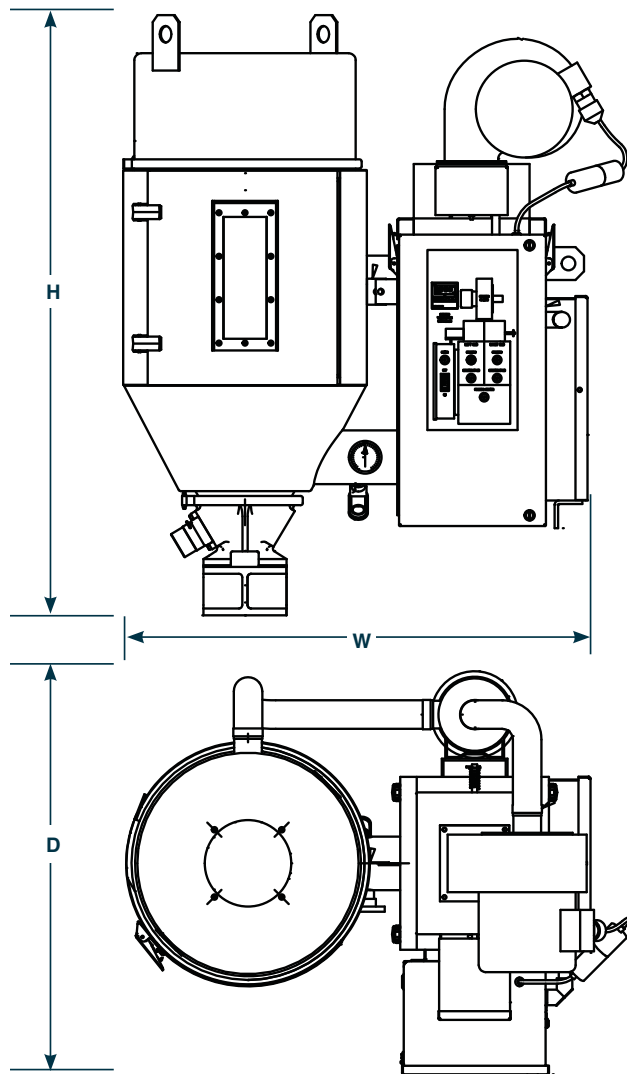
# TEMPTEK®

since 1989

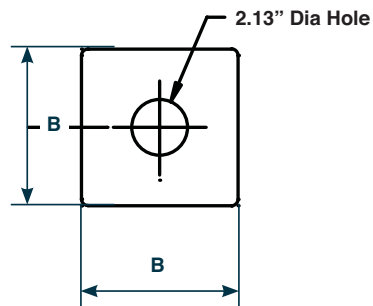
# SPECIFICATIONS

Model	Process Rate*	Overall Dimensions			Mounting Pattern (B)	Voltage	Hopper Sizes	Weight
		W	D	H				
	lb/hr	in	in	in	in			lb
NDB-15-T	15	35	29	50	4.75	115/1/60	60	500
NDB-25-T	25	35	29	50	4.75	460/1/60	100	530
NDB-50-T	50	43	30	60	6.0	460/3/60	200	725

\* Nominal throughput, based on polycarbonate pellets at 38 lb./ft<sup>3</sup>.



Mounting Bolt Pattern



since 1989



PRICE & PERFORMANCE... for the LONG TERM