

# COOLING TOWERS

- **6 to 200 Tons Capacity**
- **Galvanized Steel Construction**
- **CTI Certified Performance**
- **Compact Space Efficient Design**

**TM SERIES**  
GALVANIZED STEEL



The **TM Series** cooling tower is ready to meet the needs of today's industry. With the forced draft design, thermal efficient wet deck, large orifice spray nozzles, and energy efficient motor, this cooling tower supplies inexpensive cooling water for your hydraulics, condensers, temperature controllers, and other machinery. Product features include maximum heat transfer in an economically affordable package.



T200M shown

## DESIGN CONDITIONS

- 85°F, based on 95°F EWT at a 78°F wet bulb.

## SHELL CONSTRUCTION

- G210 hot-dip galvanized steel
- Zinc chromated aluminum paint applied to exterior
- Double-brake flanges for maximum strength
- Die punched panels for accurate mating
- Screens and belts are easily removed for access to internal parts
- Heavy duty lifting hooks
- Leakproof access doors

## MOTOR

- Open drip proof
- 1.15 service factor
- Suitable for outdoor service
- Mounted on an adjustable base
- Direct drive assembly on 6 - 20 ton models
- V belt drive assembly on 26 - 200 ton models
- Design to easily adjust belt tension

## WET DECK

- Efficient PVC surface
- Impervious to rot and decay
- Maximum air to water contact
- Low air pressure drop

## FAN

- Fixed pitched
- Heavy duty construction
- Matched to specific tower size for maximum efficiency
- Direct drive mounting on 6 - 20 ton models
- V belt drives use solid steel shaft and grease packed self-aligning bearings.
- Pillow-block type bearing housing
- Easy relubrication

## WATER DISTRIBUTION

- Open gravity feed hot water basin
- Built in velocity breaker
- Large diameter metering orifices

## WATER MAKE-UP SYSTEM

- Brass float valve
- Easily adjustable float
- Float system can be installed on remote pump tank

## WARRANTY & SERVICE

- 1 year on fan and motor
- 5 year on shell

**PRICE & PERFORMANCE... for the LONG TERM**

**TEMPTEK**

since 1989

## TM SERIES SPECIFICATIONS

MODEL		T6M	T7.5M	T11M	T16M	T20M	T26M	T30M	T33M	T38M	T42M	T47M
<b>CAPACITY</b>	Tons <sup>1</sup>	6	7.5	11	16	20	26	30	33	38	42	47
	Quantity	1	1	1	1	1	1	1	1	1	1	1
<b>FAN</b>	CFM	2,400	3,000	4,400	5,700	7,100	9,200	10,600	11,700	12,100	13,400	15,000
	Quantity	1	1	1	1	1	1	1	1	1	1	1
<b>MOTOR</b>	HP	1/2	1/2	1/2	1/2	1	1	1-1/2	2	1-1/2	2	2
	Quantity	1	1	1	1	1	1	1	1	1	1	1
<b>AMPERAGE<sup>2</sup></b>	208 / 3 / 60	2.3	2.3	2.3	2.3	4.1	4.1	6.0	7.8	6.0	7.8	11.0
	230 / 3 / 60	2.0	2.0	2.0	2.0	3.6	3.6	5.2	6.8	5.2	6.8	9.6
	460 / 3 / 60	1.0	1.0	1.0	1.0	1.8	1.8	2.6	3.4	2.6	3.4	4.8
	575 / 3 / 60	.8	.8	.8	.8	1.4	1.4	2.1	2.7	2.1	2.7	3.9
<b>WATER REQUIREMENTS</b>	Make-Up <sup>3</sup>	.2	.26	.36	.54	.66	1.0	1.0	1.1	1.3	1.4	1.6
	Bleed <sup>3</sup>	.1	.12	.18	.27	.33	.50	.50	.55	.63	.70	.78
<b>PIPE SIZES (inches)</b>	To Process	3	3	3	4	4	4	4	4	6	6	6
	From Process	3	3	3	4	4	4	4	4	6	6	6
<b>DIMENSIONS (inches)</b>	Height	56	56	58	72	72	72	72	72	86	86	86
	Width	81	81	81	82	82	85	85	85	85	85	85
	Depth	24	24	36	36	36	54	54	54	54	54	84
<b>WEIGHT (LBS)</b>	Shipping <sup>4</sup>	370	370	470	570	590	940	950	950	1,020	1,000	1,020
	Operating <sup>5</sup>	980	980	1420	1,330	1,350	2,080	2,090	2,100	2,440	2,420	2,610

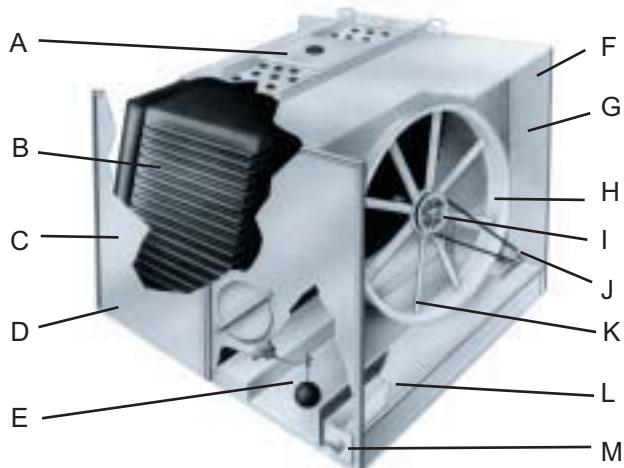
MODEL		T58M	T68M	T74M	T87M	T99M	T115M	T130M	T142M	T160M	T175M	T200M
<b>CAPACITY</b>	Tons <sup>1</sup>	58	68	74	87	99	115	130	142	160	175	200
	Quantity	1	1	1	1	1	1	1	1	2	2	2
<b>FAN</b>	CFM	18,500	21,700	21,800	25,600	29,100	33,900	38,300	41,800	51,500	51,500	58,900
	Quantity	1	1	1	1	1	1	1	1	1	1	1
<b>MOTOR</b>	HP	3	5	3	5	7.5	5	7.5	10	7.5	10	15
	Quantity	1	1	1	1	1	1	1	1	1	1	1
<b>AMPERAGE<sup>2</sup></b>	208 / 3 / 60	11.0	17.5	11.0	17.5	29.3	17.5	29.3	32.2	29.3	32.2	48.0
	230 / 3 / 60	9.6	15.2	9.6	15.2	22.0	15.2	22.0	28.0	22.0	28.0	42.0
	460 / 3 / 60	4.8	7.6	4.8	7.6	11.0	7.6	11.0	14.0	11.0	14.0	21.0
	575 / 3 / 60	3.9	6.1	3.9	6.1	9.0	6.1	9.0	11.0	9.0	11.0	17.0
<b>WATER REQUIREMENTS</b>	Make-Up <sup>3</sup>	1.9	2.3	2.4	2.9	3.3	3.8	4.3	4.8	5.8	5.8	6.6
	Bleed <sup>3</sup>	1.0	1.1	1.2	1.4	1.6	1.9	2.2	2.4	2.9	2.9	3.3
<b>PIPE SIZES (inches)</b>	To Process	6	6	8	8	8	8	8	8	8	8	8
	From Process	6	6	8	8	8	8	8	8	8	8	8
<b>DIMENSIONS (inches)</b>	Height	86	86	100	100	100	100	100	100	100	100	100
	Width	85	85	85	85	85	85	85	85	85	85	85
	Depth	72	72	72	72	72	109	109	109	144	144	144
<b>WEIGHT (LBS)</b>	Shipping <sup>4</sup>	1,220	1,720	1,720	1,730	1,770	2,220	2,260	2,300	2,880	2,920	2,970
	Operating <sup>5</sup>	3,100	4,230	4,230	4,240	4,280	6,080	6,120	6,160	8,030	8,070	8,120

**Notes:**

1. Tons capacity at 15,000 BTU / hr. 2. Full load amps shown. No allowance for inrush. Service disconnect by owner. Full load amps are higher than run load amps and must be used for sizing disconnects and supply wiring. Consult factory for 50hz operation. 3. Make-up and Bleed rate shown at GPM. 4. Unit weight crated for shipment. 5. Maximum weight with sump full to overflow.

### MECHANICAL COMPONENTS

- A - Water Distribution Center
- B - Wet Deck
- C - Access Door
- E - Water Make - Up System
- F - Protective Screen
- G - Air Entry
- H - Air Inlet Entry
- I - Motor
- J - Fan Shaft & Bearings
- K - Axial Flow Fans
- L - Strainer
- M - Drain Connection



**PRICE & PERFORMANCE... for the LONG TERM**

## TM SERIES SPECIFICATIONS

MODEL		T6M	T7.5M	T11M	T16M	T20M	T26M	T30M	T33M	T38M	T42M	T47M
<b>CAPACITY</b>	Tons <sup>1</sup>	6	7.5	11	16	20	26	30	33	38	42	47
	Quantity	1	1	1	1	1	1	1	1	1	1	1
<b>FAN</b>	CFM	2,400	3,000	4,400	5,700	7,100	9,200	10,600	11,700	12,100	13,400	15,000
	Quantity	1	1	1	1	1	1	1	1	1	1	1
<b>MOTOR</b>	HP	1/2	1/2	1/2	1/2	1	1	1-1/2	2	1-1/2	2	2
	Quantity	1	1	1	1	1	1	1	1	1	1	1
<b>AMPERAGE<sup>2</sup></b>	208 / 3 / 60	2.3	2.3	2.3	2.3	4.1	4.1	6.0	7.8	6.0	7.8	11.0
	230 / 3 / 60	2.0	2.0	2.0	2.0	3.6	3.6	5.2	6.8	5.2	6.8	9.6
	460 / 3 / 60	1.0	1.0	1.0	1.0	1.8	1.8	2.6	3.4	2.6	3.4	4.8
	575 / 3 / 60	.8	.8	.8	.8	1.4	1.4	2.1	2.7	2.1	2.7	3.9
<b>WATER REQUIREMENTS</b>	Make-Up <sup>3</sup>	.2	.26	.36	.54	.66	1.0	1.0	1.1	1.3	1.4	1.6
	Bleed <sup>3</sup>	.1	.12	.18	.27	.33	.50	.50	.55	.63	.70	.78
<b>PIPE SIZES (inches)</b>	To Process	3	3	3	4	4	4	4	4	6	6	6
	From Process	3	3	3	4	4	4	4	4	6	6	6
<b>DIMENSIONS (inches)</b>	Height	56	56	58	72	72	72	72	72	86	86	86
	Width	81	81	81	82	82	85	85	85	85	85	85
	Depth	24	24	36	36	36	54	54	54	54	54	84
<b>WEIGHT (LBS)</b>	Shipping <sup>4</sup>	370	370	470	570	590	940	950	950	1,020	1,000	1,020
	Operating <sup>5</sup>	980	980	1420	1,330	1,350	2,080	2,090	2,100	2,440	2,420	2,610

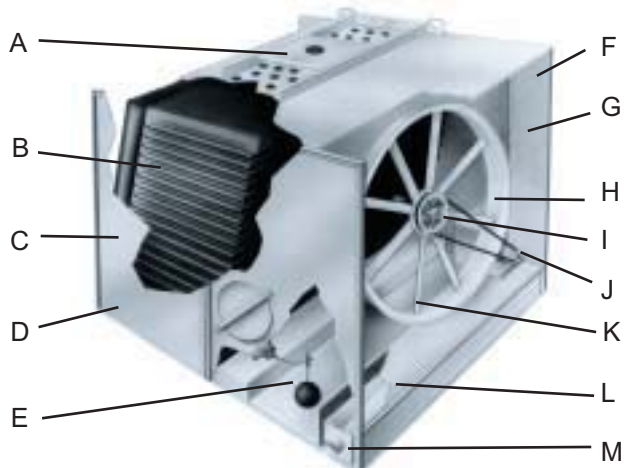
MODEL		T58M	T68M	T74M	T87M	T99M	T115M	T130M	T142M	T160M	T175M	T200M
<b>CAPACITY</b>	Tons <sup>1</sup>	58	68	74	87	99	115	130	142	160	175	200
	Quantity	1	1	1	1	1	1	1	1	2	2	2
<b>FAN</b>	CFM	18,500	21,700	21,800	25,600	29,100	33,900	38,300	41,800	51,500	51,500	58,900
	Quantity	1	1	1	1	1	1	1	1	1	1	1
<b>MOTOR</b>	HP	3	5	3	5	7.5	5	7.5	10	7.5	10	15
	Quantity	1	1	1	1	1	1	1	1	1	1	1
<b>AMPERAGE<sup>2</sup></b>	208 / 3 / 60	11.0	17.5	11.0	17.5	29.3	17.5	29.3	32.2	29.3	32.2	48.0
	230 / 3 / 60	9.6	15.2	9.6	15.2	22.0	15.2	22.0	28.0	22.0	28.0	42.0
	460 / 3 / 60	4.8	7.6	4.8	7.6	11.0	7.6	11.0	14.0	11.0	14.0	21.0
	575 / 3 / 60	3.9	6.1	3.9	6.1	9.0	6.1	9.0	11.0	9.0	11.0	17.0
<b>WATER REQUIREMENTS</b>	Make-Up <sup>3</sup>	1.9	2.3	2.4	2.9	3.3	3.8	4.3	4.8	5.8	5.8	6.6
	Bleed <sup>3</sup>	1.0	1.1	1.2	1.4	1.6	1.9	2.2	2.4	2.9	2.9	3.3
<b>PIPE SIZES (inches)</b>	To Process	6	6	8	8	8	8	8	8	8	8	8
	From Process	6	6	8	8	8	8	8	8	8	8	8
<b>DIMENSIONS (inches)</b>	Height	86	86	100	100	100	100	100	100	100	100	100
	Width	85	85	85	85	85	85	85	85	85	85	85
	Depth	72	72	72	72	72	109	109	109	144	144	144
<b>WEIGHT (LBS)</b>	Shipping <sup>4</sup>	1,220	1,720	1,720	1,730	1,770	2,220	2,260	2300	2,880	2,920	2,970
	Operating <sup>5</sup>	3,100	4,230	4,230	4,240	4,280	6,080	6,120	6,160	8,030	8,070	8,120

**Notes:**

1. Tons capacity at 15,000 BTU / hr. 2. Full load amps shown. No allowance for inrush. Service disconnect by owner. Full load amps are higher than run load amps and must be used for sizing disconnects and supply wiring. Consult factory for 50hz operation. 3. Make-up and Bleed rate shown at GPM. 4. Unit weight crated for shipment. 5. Maximum weight with sump full to overflow.

### MECHANICAL COMPONENTS

- A - Water Distribution Center
- B - Wet Deck
- C - Access Door
- E - Water Make - Up System
- F - Protective Screen
- G - Air Entry
- H - Air Inlet Entry
- I - Motor
- J - Fan Shaft & Bearings
- K - Axial Flow Fans
- L - Strainer
- M - Drain Connection



**PRICE & PERFORMANCE... for the LONG TERM**