

## DA SERIES DEW POINTS TO $-40^{\circ}\text{F}$

### COMPRESSED AIR DEW POINTS TO $-40^{\circ}\text{F}$

Since 1854, CURTIS has empowered generations with the air power needed to turn visions into reality. Today, FSCURTIS' DA Series desiccant compressed air dryers feature molecular sieve desiccant and are a great alternative to high inlet temperature refrigerated air dryers, and disposable silica gel type desiccant dryers. Benefit from pressure dew points to  $-40^{\circ}\text{F}$ . Each delivers performance, value and economy in a space-saving package from 20 through 120 scfm at pressures to 175 psig.

### SIMPLE & EFFECTIVE

DA Series offers economy minded compressed air users a simple and effective no-nonsense approach to dry compressed air. Great for use with any type of compressor including piston, scroll, rotary vane or rotary screw technologies. The ability to function with inlet temperatures to  $150^{\circ}\text{F}$  makes it ideal for use with tank mounted reciprocating air compressors that lack an aftercooler. Enjoy desert dry compressed air lines that won't stop flowing as a result of having frozen water in it.

### FEATURES

- Can be mounted on FSCURTIS RS Series Compressors
- Alternative to a high inlet temperature refrigerated dryer
- Environmentally friendly, using no refrigerant
- Easy installation (universal wall mounting brackets) in a compact and expandable system, wall or compressor mounted
- Lowest operational and maintenance cost of any regenerative air dryer
- Molecular sieve desiccant in easy spin-on canisters
- Particulate afterfilter built into the canisters
- Operates uninterrupted in dirty or dusty environments
- $150^{\circ}\text{F}$  maximum inlet temperature
- Air cooled aftercooler not required
- Automatic 2 minute cycle
- Additional options available



*Can be wall mounted or  
compressor mounted*

DA Series Modular  
Compressed Air Dryers  
deliver ULTRA low dew point,  
dehumidified compressed air  
for such applications as:

Automotive Painting, Metal Fabrication,  
Medical, Dental, Powder Coating, Clean Rooms  
and Concrete Batch Plants

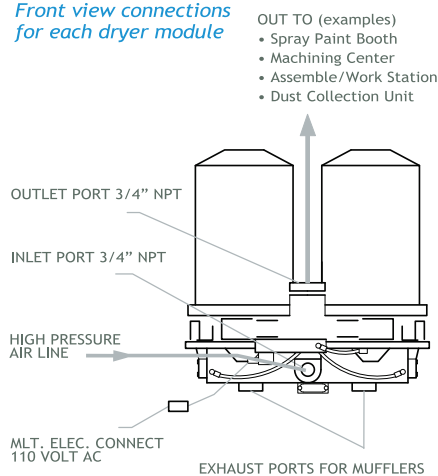
COMPLETE MODULAR DRYING SYSTEMS		SCFM	Voltage	Recommended **Coalescing Pre-Filter	Weight Wall Mounted	Can be Mounted on RS Compressor
*Dryer Model	Modules Used					
DA-220E	220E	20	115V	C1	47lbs	C/F
DA-230E	230E	30	115V	C1	47lbs	C/F
DA-240E	240E	40	115V	C1	49lbs	RS10T
DA-450ES	230E, 220S	50	115V	C2	95lbs	C/F
DA-460ES	230E, 230S	60	115V	C2	95lbs	RS15T
DA-470ES	240E, 230S	70	115V	C3	97lbs	C/F
DA-480ES	240E, 240S	80	115V	C3	97lbs	RS20T
DA-6100ESS	240E, 230S, 230S	100	115V	C3	120lbs	RS25T
DA-6120ESS	240E, 240S, 240S	120	115V	C3	122lbs	RS30AT

\*Models DA-220E, 230E, 240E include mounting bracket | \*Models DA-450ES, 460ES, 470ES, 480ES include mounting bracket, dual-module mounting strut & dual-manifold | \*Models DA-6100ESS, 6120ESS include mounting bracket, tri-module mounting strut & tri-manifold | \*\*Coalescing Prefilter with automatic drain is recommended for these standard dryer packages

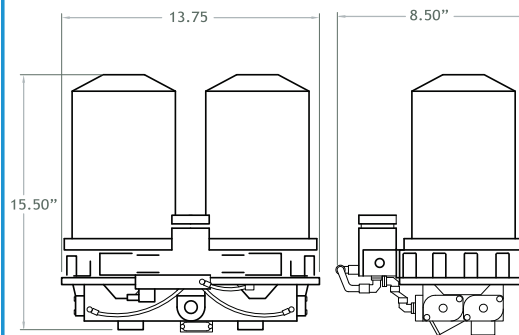
## STANDARD FEATURES

150° F max inlet temperature; Long life, twin canister design; Wall mount requires no aftercooler; 100-175 PSI operating range; Cycles automatically; Simple installation; 115V switching timer with plug; Expandable modular design; Built-in afterfilter; Not affected by high ambients.

### Front view connections for each dryer module



### Dimension per dryer module



### MODEL DA-480ES DRYER WITH PREFILTER, MOUNTED ON RS20T AIR COMPRESSOR



## AS SIMPLE AS 1, 2 & 3!

Expandable design allows for an increasing air requirement by simply adding additional modular units. Simple installation!



Distributed By:



ISO registered  
9001 : 2000  
14001 : 2004

CURTIS® — The Symbol of Quality & Excellence Since 1854

Improvements and research are continuous at FSCURTIS. Specifications may change without notice.

©2008 CURTIS-TOLEDO®, INC. • Form No. DA20-120NA-1