

# Compressed Air Cooling Air UPA Series

## COPPER TUBE CONSTRUCTION

### Performance Notes

- Full line of sizes and features
- Energy efficient
- High performance
- Low flows to 100 CFM
- Floor or suspended mounting
- Lightweight, may be shipped UPS
- Ratings based on comprehensive testing
- Attractive, durable baked enamel finish
- Detachable legs (shipped unattached)



**OPTION**  
Moisture separators

### Ratings

**Maximum Operating Pressure**  
250 PSI

**Maximum Operating Temperature**  
350°F

### Materials

**Cabinet** Steel with baked enamel finish

**Core** Aluminum fins on copper tubes

**Fan** Heavy gauge aluminum with steel hub

**Motor** Open vented

**Fan Guard** Zinc chromate plated steel

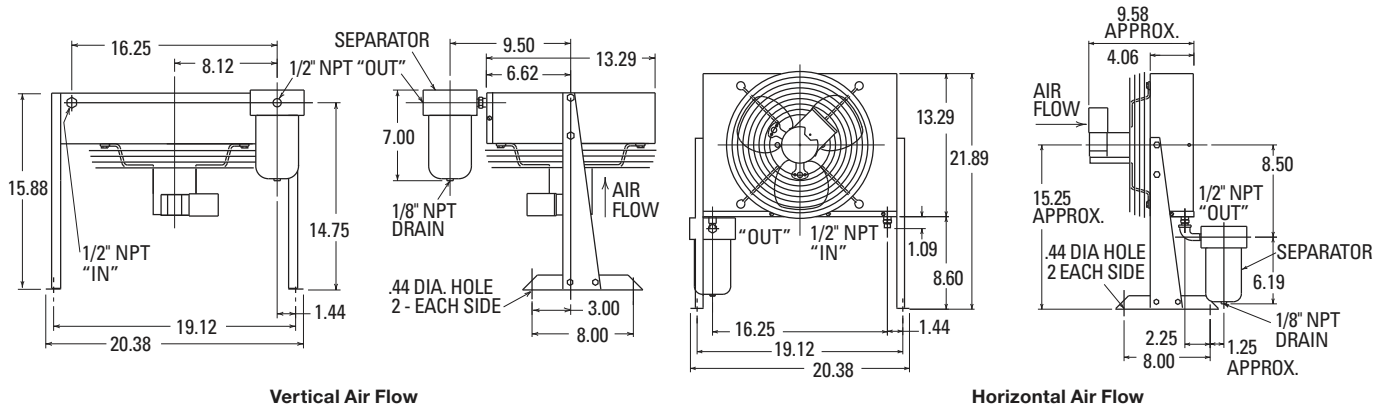
## How to Order

<b>UPA</b>	-		-	
Model Series <b>UPA</b>		Model Size Selected		Specify Motor Required <b>0</b> - No Motor <b>1</b> - Single Phase 60 HZ ODP 115 Volt

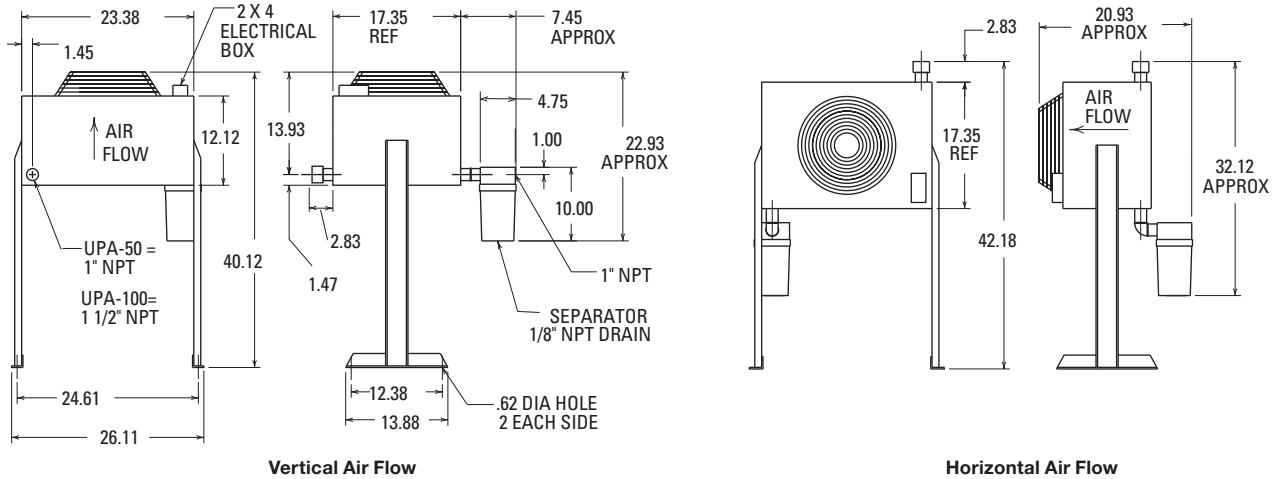


# Dimensions

## Models UPA-20 & UPA-35



## Models UPA-50 & UPA-100



Note: We reserve the right to make reasonable design changes without notice. All dimensions are in inches.

## Capacity Selection Chart Max. SCFM @ 5, 10, 15 and 20°F Approach

Inlet Temp. °F	150				200				250				300				350				Recommended Optional Separator Model Number
	Approach Temp. °F	5	10	15	20	5	10	15	20	5	10	15	20	5	10	15	20	5	10	15	
UPA-20	17	35*	35*	35*	11	22	35	35*	8	16	20	35	6	12	19	26	5	10	15	21	S-50M or AD
UPA-35	29	43*	43*	43*	17	36	43*	43*	12	27	35	42*	10	20	31	42*	8	16	26	35	S-50M or AD
UPA-50	43	72	72*	72*	28	50	70	72*	22	35	50	70	18	32	45	57	15	28	39	50	S-100M or AD
UPA-100	95	125*	125*	125*	66	111	125*	125*	52	88	100	125*	44	74	100	125	38	64	86	108	S-100M or AD

Above specifications are based on 80 to 125 PSIG operating pressures. Maximum pressure drop, less than 3 psi.

A flexible metal hose must be properly installed between the compressor and aftercooler to validate warranty.

\*Maximum ratings restricted by pressure drop, actual thermal capacities are higher.

## Electric Motor & Fan Data

Model	Fan CMM	Motor HP	Voltage	Phase	Full Load Amps	HZ	RPM	Nema Frame	Thermal Overload	Approximate Shipping Weight (LBS)
UPA-20	615	1/12	115/230	1	2.4/1.2	60	1550	Custom	Yes	25
UPA-35	615	1/12	115/230	1	2.4/1.2	60	1550	Custom	Yes	27
UPA-50	945	1/12	115/230	1	2.7/1.4	50	1300	Custom	Yes	61
UPA-100	945	1/12	115/230	1	2.7/1.4	50	1300	Custom	Yes	67

Published electrical ratings are approximate, and may vary because of motor brand. Actual ratings are on motor nameplate.