



PASSIONATE

COLLABORATIVE

INNOVATIVE

TRUSTED

EMPOWERED

ENERGIZED

ACCESSORY CATALOG & SPECIFICATIONS

Thermal Products, Inc. / Phone: (518) 877-0231 / Email: sales@thermalproducts.com / Website: www.thermalproducts.com

GT Exhaust and Silex Innovations are divisions of Nelson Global Products

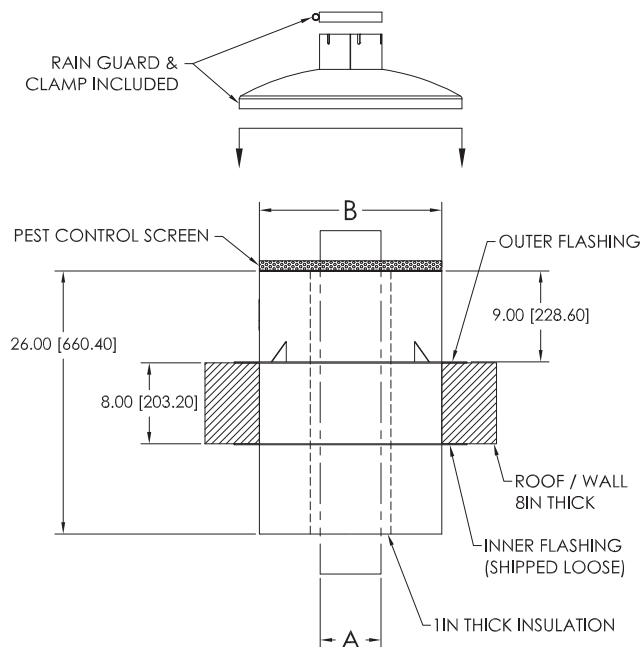


20 - THIMBLES

Wall and Roof Thimbles

Type C - Combustible Walls

Part Number	A	B	WT
3ACI-20-C-200	2	14	52
3ACI-20-C-238	2.38	15	53
3ACI-20-C-250	2.5	15	53
3ACI-20-C-288	2.88	15	57
3ACI-20-C-300	3	15	57
3ACI-20-C-350	3.5	16	58
3ACI-20-C-400	4	16	66
3ACI-20-C-450	4.5	17	68
3ACI-20-C-500	5	17	88
3ACI-20-C-556	5.56	18	90
3ACI-20-C-600	6	18	98
3ACI-20-C-663	6.63	19	100
3ACI-20-C-800	8	20	114
3ACI-20-C-863	8.63	21	117
3ACI-20-C-1000	10	22	130
3ACI-20-C-1075	10.75	23	136
3ACI-20-C-1200	12	24	146
3ACI-20-C-1275	12.75	25	150
3ACI-20-C-1400	14	26	159
3ACI-20-C-1600	16	28	175
3ACI-20-C-1800	18	30	218



Type NC - Roof & Non-Combustible Walls

Part Number	A	B	WT
3ACI-20-NC-200	2	9	38
3ACI-20-NC-238	2.38	9	39
3ACI-20-NC-250	2.5	9	39
3ACI-20-NC-288	2.88	10	43
3ACI-20-NC-300	3	10	43
3ACI-20-NC-350	3.5	10	44
3ACI-20-NC-400	4	11	46
3ACI-20-NC-450	4.5	11	49
3ACI-20-NC-500	5	12	60
3ACI-20-NC-556	5.56	12	61
3ACI-20-NC-600	6	13	69
3ACI-20-NC-663	6.63	13	70
3ACI-20-NC-800	8	15	84
3ACI-20-NC-863	8.63	15	86
3ACI-20-NC-1000	10	17	104
3ACI-20-NC-1075	10.75	17	108
3ACI-20-NC-1200	12	19	117
3ACI-20-NC-1275	12.75	19	121
3ACI-20-NC-1400	14	20	131
3ACI-20-NC-1600	16	22	145
3ACI-20-NC-1800	18	26	180

OD Measurement of Standard Schedule Pipe

Nominal Pipe Size	OD (Thimble "A" Dim)
2	2.38
2.5	2.88
3	3.50
4	4.50
5	5.56
6	6.63
8	8.63
10	10.75
12	12.75
14	14.00

"A" Dimension measures the outside diameter of the exhaust tube or pipe. See chart above for outside diameter of standard pipe.

All dimensions are in inches. All weights are in pounds. Weights are approximate. Carbon steel construction. Available in stainless steel. Call Product Specialist for details.

When calculating height thimble must have a 9" clearance on each side of the wall or roof. To prevent warping, outer flashing is not welded 100%.

Be sure to include correct roof pitch on all roof applications. There is an additional charge for non-flat roof applications.

Conforms to NFPA 37 and 110. The above thimbles have been sized for standard (8") thick walls and roofs.

Thermal barrier used within the thimbles is composed of high density, type "E" fibers, fibrous glass heavy-duty insulation. Apply high-temp

MiA-46106B 100 Series Silicon RTV where needed.

Pest Control Screen adds 2"-3" to exterior height. Consult Product Specialist for specifics. All Carbon Steel Thimbles will come with High Heat Black Paint non-standard.

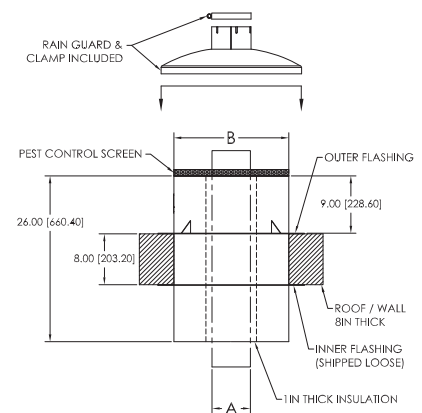
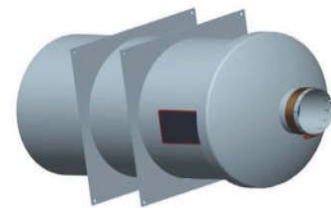
UL WALL THIMBLES

3ACI-WT-U

Thimbles are listed under UL2561, ULC ORD C441.3/98 First Edition and tested based on NFPA-211 for medium heat.

UL Wall Thimble WT

Part Number	A	B	K	Shell THK	End Plate THK
3ACI-WT-1.5T-UL-24-2P-R	2.25 (57.2)	20 (508)	22 (558.8)	0.1495 (3.7)	0.1495 (3.7)
3ACI-WT-1.5P-UL-24-2P-R	2.65 (67.3)	20 (508)	22 (558.8)	0.1495 (3.7)	0.1495 (3.7)
3ACI-WT-2T-UL-24-2P-R	2.75 (69.9)	20 (508)	22 (558.8)	0.1495 (3.7)	0.1495 (3.7)
33ACII-WT-2P-UL-24-2P-R	3.12 (79.2)	21 (533.4)	22 (558.8)	0.1495 (3.7)	0.1495 (3.7)
3ACI-WT-2.5T-UL-24-2P-R	3.25 (82.6)	21 (533.4)	22 (558.8)	0.1495 (3.7)	0.1495 (3.7)
3ACI-WT-2.5P-UL-24-2P-R	3.62 (91.9)	21 (533.4)	22 (558.8)	0.1495 (3.7)	0.1495 (3.7)
3ACI-WT-3T-UL-24-2P-R	3.75 (95.36)	21 (533.4)	22 (558.8)	0.1495 (3.7)	0.1495 (3.7)
3ACI-WT-3P-UL-24-2P-R	4.25 (108)	22 (558.8)	24 (609.6)	0.1495 (3.7)	0.1495 (3.7)
3ACI-WT-3.5T-UL-24-2P-R	4.25 (108)	22 (558.8)	24 (609.6)	0.1495 (3.7)	0.1495 (3.7)
3ACI-WT-3.5P-UL-24-2P-R	4.75 (120.7)	22 (558.8)	24 (609.6)	0.1495 (3.7)	0.1495 (3.7)
3ACI-WT-4T-UL-24-2P-R	4.75 (120.7)	22 (558.8)	24 (609.6)	0.1495 (3.7)	0.1495 (3.7)
3ACI-WT-4P-UL-24-2P-R	5.25 (133.4)	23 (584.2)	24 (609.6)	0.1495 (3.7)	0.1495 (3.7)
3ACI-WT-5T-UL-24-2P-R	5.75 (146.1)	23 (584.2)	24 (609.6)	0.1495 (3.7)	0.1495 (3.7)
3ACI-WT-5P-UL-24-2P-R	6.31 (160.0)	24 (609.6)	26 (660.4)	0.1495 (3.7)	0.1495 (3.7)
3ACI-WT-6T-UL-24-2P-R	6.75 (171.5)	24 (609.6)	26 (660.4)	0.1495 (3.7)	0.1495 (3.7)
3ACI-WT-6P-UL-24-2P-R	7.37 (187.2)	25 (635)	26 (660.4)	0.1495 (3.7)	0.1495 (3.7)
3ACI-WT-8T-UL-24-2P-R	9 (228.6)	26 (660.4)	30 (762)	0.1495 (3.7)	0.1495 (3.7)
3ACI-WT-8P-UL-24-2P-R	9.62 (244.3)	27 (685.8)	30 (762)	0.1495 (3.7)	0.1495 (3.7)
3ACI-WT-10T-UL-24-2P-R	11 (279.4)	28 (711.2)	30 (762)	0.1495 (3.7)	0.1495 (3.7)
3ACI-WT-10P-UL-24-2P-R	11.75 (298.5)	29 (736.6)	30 (762)	0.1495 (3.7)	0.1495 (3.7)
3ACI-WT-12T-UL-24-2P-R	13 (330.2)	30 (792)	36 (914.4)	0.1495 (3.7)	0.1495 (3.7)
3ACI-WT-12P-UL-24-2P-R	13.75 (349.3)	31 (787.4)	36 (914.4)	0.1495 (3.7)	0.1495 (3.7)
3ACI-WT-14TP-UL-24-2P-R	15 (381)	32 (812.8)	36 (914.4)	0.1495 (3.7)	0.1495 (3.7)
3ACI-WT-16TP-UL-24-2P-R	17 (431.8)	34 (863.6)	36 (914.4)	0.1495 (3.7)	0.1495 (3.7)
3ACI-WT-18TP-UL-24-2P-R	19 (482.6)	36 (914.4)	40 (1016)	0.1495 (3.7)	0.1495 (3.7)
3ACI-WT-20TP-UL-24-2P-R	21 (533.4)	38 (965.2)	40 (1016)	0.1495 (3.7)	0.1875 (4.7)
3ACI-WT-22TP-UL-24-2P-R	23 (584.2)	40 (1016)	45 (1143)	0.1495 (3.7)	0.1875 (4.7)
3ACI-WT-24TP-UL-24-2P-R	25 (635)	42 (1066.8)	45 (1143)	0.1495 (3.7)	0.1875 (4.7)
3ACI-WT-26TP-UL-24-2P-R	27 (685.8)	44 (1117.6)	50 (1270)	0.1495 (3.7)	0.1875 (4.7)
3ACI-WT-28TP-UL-24-2P-R	29 (736.6)	46 (1168.4)	50 (1270)	0.1495 (3.7)	0.1875 (4.7)
3ACI-WT-30TP-UL-24-2P-R	31 (787.4)	48 (1219.2)	50 (1270)	0.1495 (3.7)	0.1875 (4.7)
3ACI-WT-32TP-UL-24-2P-R	33 (838.2)	50 (1270)	54 (1371.6)	0.1495 (3.7)	0.1875 (4.7)
3ACI-WT-34TP-UL-24-2P-R	35 (889)	52 (1320.8)	54 (1371.6)	0.1495 (3.7)	0.1875 (4.7)
3ACI-WT-36TP-UL-24-2P-R	37 (939.8)	54 (1371.6)	60 (1524)	0.1495 (3.7)	0.1875 (4.7)



All Dimensions are in inches. Dimensions in brackets are in millimeters.
 A = Thimble ID
 B = Thimble OD
 K = Opening in roof

Thermal Products, Inc. / Phone: (518) 877-0231 / Email: sales@thermalproducts.com / Website: www.thermalproducts.com

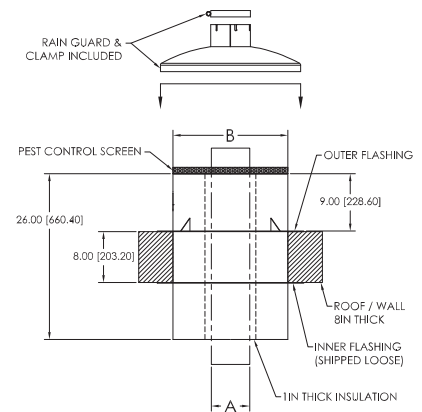
UL ROOF THIMBLES

3ACI-RT-U

Thimbles are listed under UL2561, ULC ORD C441.3/98 First Edition and tested based on NFPA-211 for medium heat.

UL Roof Thimble RT

Part Number	A	B	K	Shell THK	End Plate THK
3ACI-RT-1.5T-UL-24-2P-R	2.25 (57.2)	20 (508)	22 (558.8)	0.1495 (3.7)	0.1495 (3.7)
3ACI-RT-1.5P-UL-24-2P-R	2.65 (67.3)	20 (508)	22 (558.8)	0.1495 (3.7)	0.1495 (3.7)
3ACI-RT-2T-UL-24-2P-R	2.75 (69.9)	20 (508)	22 (558.8)	0.1495 (3.7)	0.1495 (3.7)
3ACI-RT-2P-UL-24-2P-R	3.12 (79.2)	21 (533.4)	22 (558.8)	0.1495 (3.7)	0.1495 (3.7)
3ACI-RT-2.5T-UL-24-2P-R	3.25 (82.6)	21 (533.4)	22 (558.8)	0.1495 (3.7)	0.1495 (3.7)
3ACI-RT-2.5P-UL-24-2P-R	3.62 (91.9)	21 (533.4)	22 (558.8)	0.1495 (3.7)	0.1495 (3.7)
3ACI-RT-3T-UL-24-2P-R	3.75 (95.36)	21 (533.4)	22 (558.8)	0.1495 (3.7)	0.1495 (3.7)
3ACI-RT-3P-UL-24-2P-R	4.25 (108)	22 (558.8)	24 (609.6)	0.1495 (3.7)	0.1495 (3.7)
3ACI-RT-3.5T-UL-24-2P-R	4.25 (108)	22 (558.8)	24 (609.6)	0.1495 (3.7)	0.1495 (3.7)
3ACI-RT-3.5P-UL-24-2P-R	4.75 (120.7)	22 (558.8)	24 (609.6)	0.1495 (3.7)	0.1495 (3.7)
3ACI-RT-4T-UL-24-2P-R	4.75 (120.7)	22 (558.8)	24 (609.6)	0.1495 (3.7)	0.1495 (3.7)
3ACI-RT-4P-UL-24-2P-R	5.25 (133.4)	23 (584.2)	24 (609.6)	0.1495 (3.7)	0.1495 (3.7)
3ACI-RT-5T-UL-24-2P-R	5.75 (146.1)	23 (584.2)	24 (609.6)	0.1495 (3.7)	0.1495 (3.7)
3ACI-RT-5P-UL-24-2P-R	6.31 (160.0)	24 (609.6)	26 (660.4)	0.1495 (3.7)	0.1495 (3.7)
3ACI-RT-6T-UL-24-2P-R	6.75 (171.5)	24 (609.6)	26 (660.4)	0.1495 (3.7)	0.1495 (3.7)
3ACI-RT-6P-UL-24-2P-R	7.37 (187.2)	25 (635)	26 (660.4)	0.1495 (3.7)	0.1495 (3.7)
3ACI-RT-8T-UL-24-2P-R	9 (228.6)	26 (660.4)	30 (762)	0.1495 (3.7)	0.1495 (3.7)
3ACI-RT-8P-UL-24-2P-R	9.62 (244.3)	27 (685.8)	30 (762)	0.1495 (3.7)	0.1495 (3.7)
3ACI-RT-10T-UL-24-2P-R	11 (279.4)	28 (711.2)	30 (762)	0.1495 (3.7)	0.1495 (3.7)
3ACI-RT-10P-UL-24-2P-R	11.75 (298.5)	29 (736.6)	30 (762)	0.1495 (3.7)	0.1495 (3.7)
3ACI-RT-12T-UL-24-2P-R	13 (330.2)	30 (792)	36 (914.4)	0.1495 (3.7)	0.1495 (3.7)
3ACI-RT-12P-UL-24-2P-R	13.75 (349.3)	31 (787.4)	36 (914.4)	0.1495 (3.7)	0.1495 (3.7)
3ACI-RT-14TP-UL-24-2P-R	15 (381)	32 (812.8)	36 (914.4)	0.1495 (3.7)	0.1495 (3.7)
3ACI-RT-16TP-UL-24-2P-R	17 (431.8)	34 (863.6)	36 (914.4)	0.1495 (3.7)	0.1495 (3.7)
3ACI-RT-18TP-UL-24-2P-R	19 (482.6)	36 (914.4)	40 (1016)	0.1495 (3.7)	0.1495 (3.7)
3ACI-RT-20TP-UL-24-2P-R	21 (533.4)	38 (965.2)	40 (1016)	0.1495 (3.7)	0.1875 (4.7)
3ACI-RT-22TP-UL-24-2P-R	23 (584.2)	40 (1016)	45 (1143)	0.1495 (3.7)	0.1875 (4.7)
3ACI-RT-24TP-UL-24-2P-R	25 (635)	42 (1066.8)	45 (1143)	0.1495 (3.7)	0.1875 (4.7)
3ACI-RT-26TP-UL-24-2P-R	27 (685.8)	44 (1117.6)	50 (1270)	0.1495 (3.7)	0.1875 (4.7)
3ACI-RT-28TP-UL-24-2P-R	29 (736.6)	46 (1168.4)	50 (1270)	0.1495 (3.7)	0.1875 (4.7)
3ACI-RT-30TP-UL-24-2P-R	31 (787.4)	48 (1219.2)	50 (1270)	0.1495 (3.7)	0.1875 (4.7)
3ACI-RT-32TP-UL-24-2P-R	33 (838.2)	50 (1270)	54 (1371.6)	0.1495 (3.7)	0.1875 (4.7)
3ACI-RT-34TP-UL-24-2P-R	35 (889)	52 (1320.8)	54 (1371.6)	0.1495 (3.7)	0.1875 (4.7)
3ACI-RT-36TP-UL-24-2P-R	37 (939.8)	54 (1371.6)	60 (1524)	0.1495 (3.7)	0.1875 (4.7)



All Dimensions are in inches. Dimensions in brackets are in millimeters.
 A = Thimble ID
 B = Thimble OD
 K = Opening in wall

Thermal Products, Inc. / Phone: (518) 877-0231 / Email: sales@thermalproducts.com / Website: www.thermalproducts.com