



SERIES

Compressed Air Aftercoolers

- ▶ Advanced Technology Design Provides Compact Cooling
- ▶ Electric, or Air Motors Available from Stock
- ▶ Canadian Registry Numbers Available



Moisture Separators

- ▶ 99% Efficient Over a Wide Range of Air Flow
- ▶ Low Pressure Drop
- ▶ Light Weight All Aluminum Construction



 **AKG**[®] **THERMAL SYSTEMS, INC.**

BULLETIN CCB-3

Performance

AFTERCOOLERS

The CC Series is a complete aftercooler package designed to work on most models of rotary and piston air compressors. To select the appropriate model, simply determine compressor horsepower, and select the model from the chart.

Rotary Compressor

<u>Air Compressor Horsepower</u>	<u>Internal Airflow Maximum CFM</u>	<u>Recommended CC Series Model Number</u>
20 HP	113	CC100
25-40 HP	245	CC200
50-75 HP	539	CC450
100-125 HP	785	CC600
150-200 HP	1,569	CC1000
225-350 HP	2,300	CC1600
400-500 HP	3,016	CC2000
550-700 HP	4,316	CC2500
750-1000 HP	4,800	CC3500

Piston Compressor

<u>Air Compressor Horsepower</u>	<u>Internal Airflow Maximum CFM</u>	<u>Recommended CC Series Model Number</u>
20 HP	83	CC100
25-30 HP	181	CC200
40-70 HP	432	CC450
75-100 HP	638	CC600
125-200 HP	1,256	CC1000
225-300 HP	2,133	CC1600
350-400 HP	2,400	CC2000
500-600 HP	3,458	CC2500
700-850 HP	4,800	CC3500

Sizing Notes, Recommendations Are Based On The Following:

Heat Removal: Aftercooler=Compressor horsepower x 1.15 (motor service factor) x .17 (this assumes 17% of input horsepower is rejected to heat)

15°F Approach Temperature: Compressor air outlet temperature - ambient air temperature

Temperatures: Ambient Air Temperature + 15° F = Compressed Air Outlet Temperature

Flows: Compressor Horsepower x 4.5 = SCFM Air Flow

All flow rates are based on less than a 4 PSI pressure drop @ 100 PSI operating & 100° F ambient and 50% relative humidity

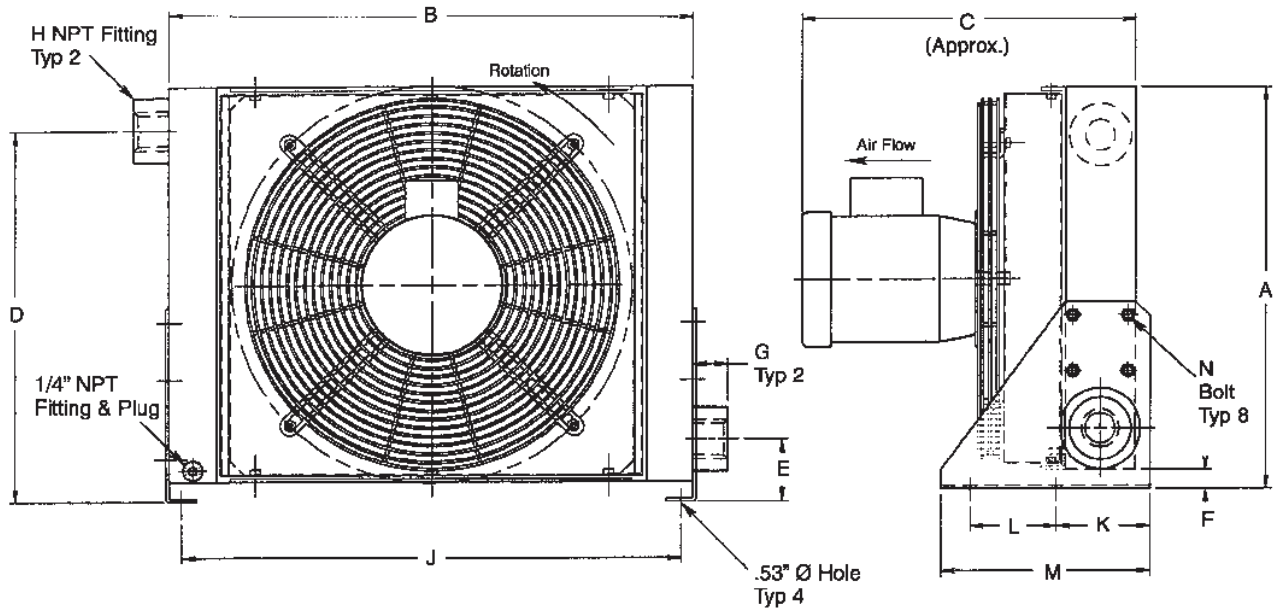
SEPARATORS

<u>Aftercooler</u>	<u>Separator</u>	<u>Separator Maximum Capacity</u>
CC100	MS300E	375 CFM
CC200	MS300G	375 CFM
CC450	MS750H	925 CFM
CC600	MS750H	925 CFM
CC1000	MS1700I	2100 CFM
CC1600	MS1700J	2100 CFM
CC2000	CONSULT FACTORY	
CC2500	CONSULT FACTORY	
CC3500	CONSULT FACTORY	

Pressure drop is 1.0 PSI at the above flow rates. Reference Bulletin #MSB-2 For additional details.

Dimensions

AFTERCOOLERS

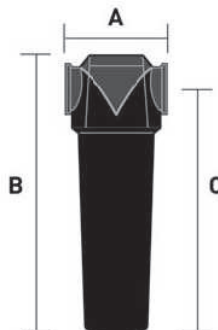


MODEL SIZE	A	B	C Approx.	D	E	F	G	H (NPT)	J	K	L	M	N	Approx. NET	Weights Shipping
CC100	12.64	15.94	14.72	10.86	2.52	0.75	1.18	1.00	14.65	3.94	3.50	8.19	M8x10 Bolt	30	40
CC200	16.30	19.88	15.59	14.53	2.52	0.75	1.77	1.50	18.66	3.94	3.50	8.19	M8x10 Bolt	50	60
CC450	21.00	26.38	17.75	18.81	3.15	1.00	1.77	2.00	25.19	4.92	4.53	10.98	M10x20 Bolt	95	137
CC600	23.19	30.31	18.74	21.02	3.15	1.00	1.77	2.00	29.13	4.92	4.53	10.98	M10x20 Bolt	125	163
CC1000	27.72	37.00	22.60	25.23	4.33	1.85	1.77	2.50	37.80	5.91	7.87	16.00	M12x20 Bolt	195	240
CC1600	35.90	40.94	24.76	30.83	4.33	1.85	1.77	3.00	37.80	5.91	7.87	16.00	M12x20 Bolt	296	350
CC2000	37.44	42.91	29.84	30.55	10.91	2.08	1.77	4.00	43.62	5.39	7.87	15.47	M12x20 Bolt	320	380
CC2500	44.25	48.82	30.28	34.25	11.57	1.57	1.77	4.00	49.29	5.39	7.87	15.47	M12x20 Bolt	440	505
CC3500	57.87	52.76	33.82	43.98	17.56	3.35	2	4.00*	50.55	7.80	10.00	20.00	3/4x1 1/2 Bolt	550	645

* SAE 4-BOLT FLANGES MAY BE CONVERTED TO NPT BY ADDING "- AD" TO THE END OF THE MODEL CODE

* Dimensions in inches. *Weights in pounds. * Air connections may be reversed. * We reserve the right to make reasonable changes without notice.

Moisture Separators



MODEL	PIPE SIZE	A	B	C	WEIGHTS (LBS)
MS 05C	1/2" NPT	3.8	9.3	7.9	3
MS 300D	3/4" NPT	5.1	10.8	9.2	7
MS 300E	1" NPT				
MS 300G	1 1/2" NPT				
MS 750H	2" NPT	6.7	17	15	15
MS 1700I	2 1/2" NPT	8.1	19.9	17.5	25
MS 1700J	3" NPT				

- Dimensions are in inches.
- We reserve the right to make reasonable design changes without notice.

Motor Specifications

ELECTRIC MOTOR DATA

Model Size	HP RPM	Motor Frame	SINGLE PHASE			THREE PHASE		
			Voltage	Hz	Full Load Amps 230 V	Voltage	Hz	Full Load Amps 230 V.
CC100	1/3 3450	IEC 63	115/230	60	2.6	208-230/460 190/380	60 50	1.1
CC200	1/2 3450	IEC 71			3.5	208-230/460 190/380	60 50	1.6
CC450	1/2 1725	NEMA 56C	115-230/460	60	4.0	208-230/460	60*	2.0
CC600	1 1725	NEMA 56C	115-230/460	60	6.4	208-230/460	60*	3.8
CC1000	2 1725	NEMA 56C	115/230	60	9.2	208-230/460	60*	6.2
CC1600	5 1725	NEMA 184TC	230	60	23	208-230/460	60*	13.2
CC2000	7.5 1725	NEMA 213TC	CONSULT FACTORY			208-230/460	60*	19.6
CC2500	7.5 1725	NEMA 213TC				208-230/460	60*	19.6
CC3500	10 1725	NEMA 213TC				208-230/460	60*	26.0

*Electric motors are TEFC and are not thermally protected.

*Actual rating may vary with motor brand. Check motor nameplate for actual rating.

*Motor RPM is reduced by 1/6 for 50 Hz service.

* - 3 Phase motors available in 50 Hz.

AIR MOTOR DATA

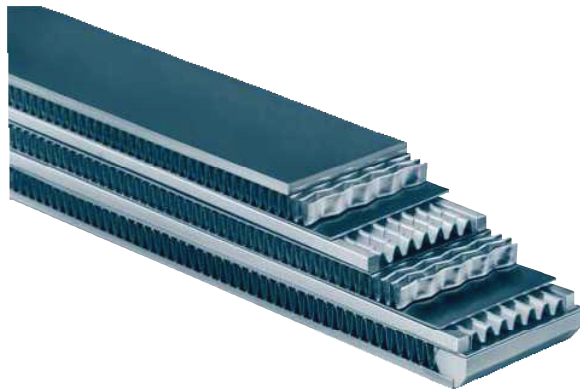
Model Number	Air Pressure To Motor (PSI)	Motor Air Consumption (CFM)	Air Motor Connection Size	FAN RPM
CC100	30	10	1/4" NPT	3450
CC200	60	17	1/4" NPT	3450
CC450	40	25	1/4" NPT	1725
CC600	40	25	1/4" NPT	1725
CC1000	50	70	1/2" NPT	1725
CC1600	60	150	1 1/4" NPT	1725
CC2000	80	200	1 1/4" NPT	1725
CC2500	80	200	1 1/4" NPT	1725
CC3500	100	240	1 1/4" NPT	1725

*Air pressure to motor **Must** be regulated and lubricated.

***Do Not Exceed** fan RPM listed above.

*Mufflers are included with all motors.

Features



- ▶ Advanced Technology Designs
- ▶ Up to 60% smaller than Conventional Fin and Tube Designs
- ▶ Rugged Bar & Plate Design
- ▶ Reduced Air Side Fouling
- ▶ Competitive Prices
- ▶ Shipments Available From Stock

Specifications

AFTERCOOLER

RATINGS:

Maximum Working Pressure250 PSI

Maximum Working Temperature250°F

MATERIALS:

CoolerAluminum

ShroudPowder Painted Steel

Fan GuardZinc Plated Steel

Fan BladePolypropylene Blades

Aluminum Hub

Mounting BracketsPowder Painted Steel

MOISTURE SEPARATOR

RATINGS:

Maximum Working250 PSI

Maximum Working Temperature150°F

Minimum Recommended Temperature35°F

Materials:

Moisture SeparatorAluminum Housing with Stainless Steel or Plastic Internals

Ordering Information

AFTERCOOLER

SERIES
CC=Series

—

MODEL SIZE
SELECTED

—

MOTOR DATA
0=No Motor
1= Single Phase
2=Air Motor
3=Three Phase
575=575 Volt

—

CUSTOM FEATURE
R=Reverse Air Flow
AD=SAE to NPT Adapters Installed
H=Heresite Coating/Core Assembly
CRN Canadian Registry, 250 PSI

MOISTURE SEPARATOR

SERIES
MS=Series

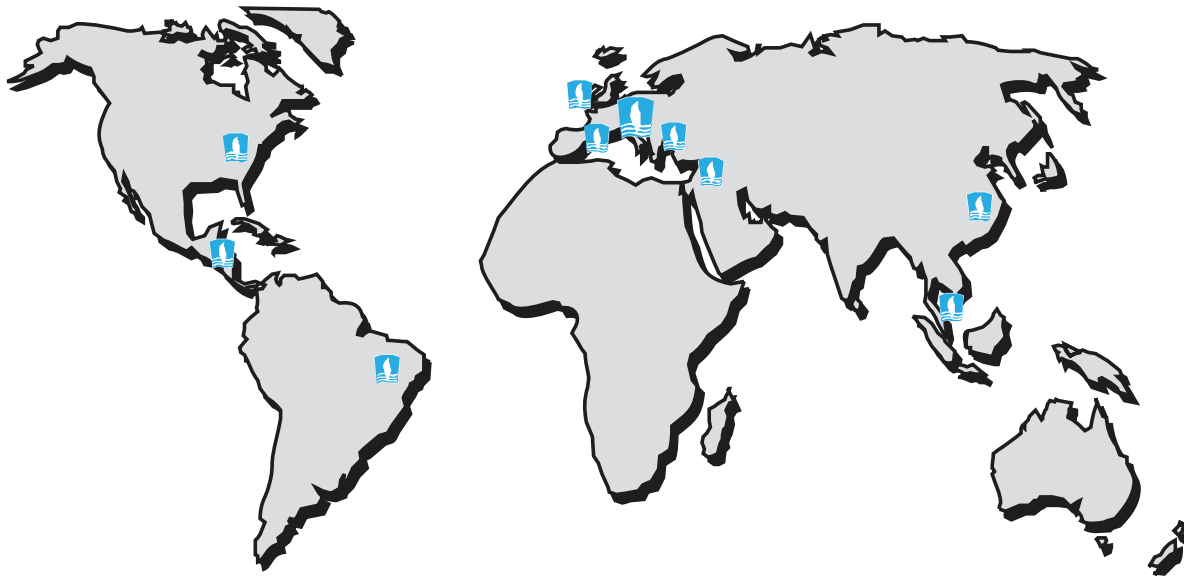
—

MODEL SIZE
SELECTED

—

DRAIN OPTION
Blank=Float Type Drain Included
ND=No Drain Included

AKG® Worldwide



AKG has been manufacturing high quality coolers and cooling systems since 1919. We have grown to include 10 facilities with over 1400 employees to serve you.

Your Business Partner



AKG Worldwide

AKG is a complete single source supply for all of your cooling requirements. Choose from both standard and custom engineered products depending on your specific needs.



Partnership

AKG believes in solid long-term business relationships built on partnerships with its customers.



Customer

AKG places heavy emphasis on development of leading edge technologies, products and finding creative solutions to our customers individual requirements.