



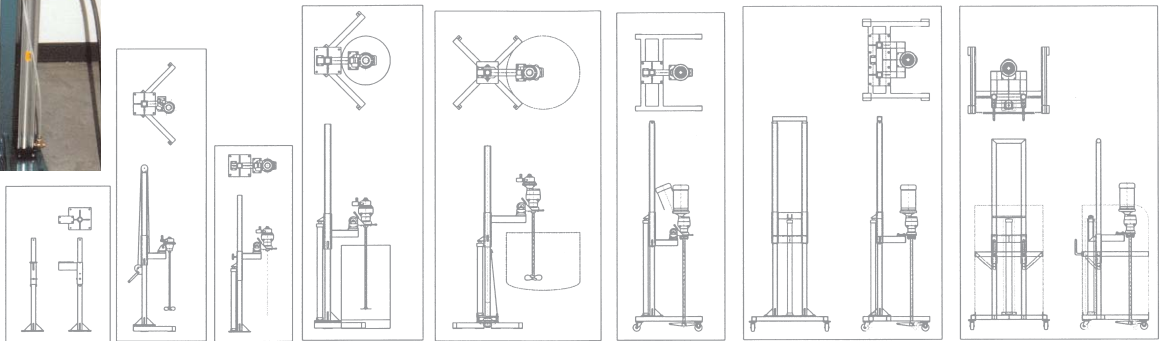
**THERMAL PRODUCTS INC.**  
 Engineered Solutions To Industrial Applications

# CUSTOM LIFT STANDS

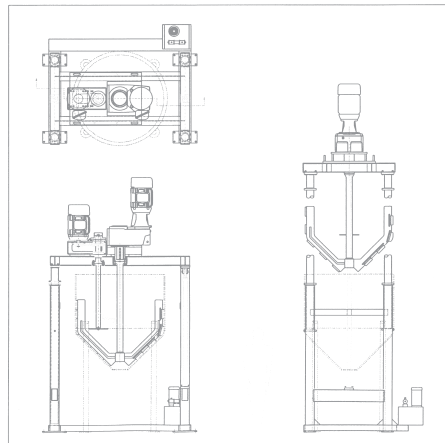
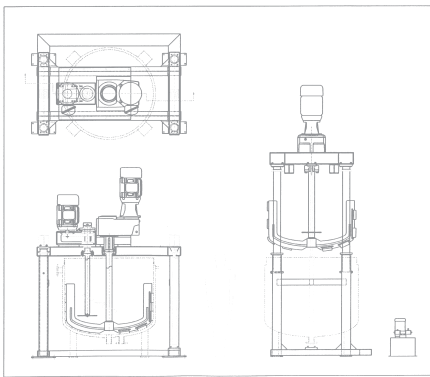


**Provide Increased flexibility For Your Process Solutions.**

- Ease of Process Changeover
- Facilitate System Washdown and Cleaning
- Portable Lift Designs Allow for Process Mobility
- Safe Operator Handling of Mixing Equipment



**BRAWN** does more than just build mixers...they provide **SOLUTIONS.**



**Partial List of Available Features and Options.**

- Heavy duty casters for roll-about portability
- Manual, mechanical, pneumatic, or hydraulic lifts
- All stainless steel construction for sanitary or highly corrosive environments
- Process Contamination Shields

**MIX & MATCH**



Call your **BRAWN** factory representative today to find out how you can get a customized solution.