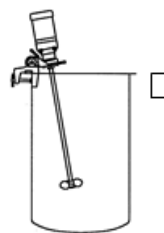
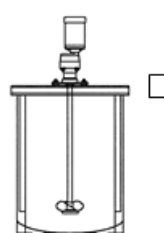
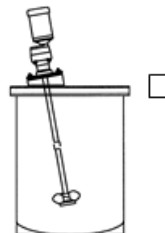
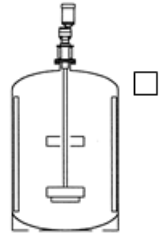
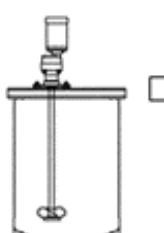
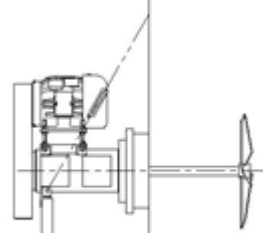


MIXER APPLICATION QUESTIONNAIRE

REP OFFICE CODE: _____ SALESPERSON: _____ DATE: _____
 CUSTOMER NAME: _____ CUSTOMER EMAIL: _____ PHONE: _____
 MARKET OR INDUSTRY: _____ APPLICATION: _____

TANK INFORMATION

CYLINDRICAL DIAMETER [in]: _____ STRAIGHT SIDE [in]: _____	TOP FLAT <input type="checkbox"/> OPEN DISH <input type="checkbox"/> CLOSED HEIGHT [in]: _____	MOUNTING METHOD  <input type="checkbox"/>  <input type="checkbox"/>  <input type="checkbox"/>  <input type="checkbox"/>  <input type="checkbox"/>  <input type="checkbox"/>
RECTANGULAR LENGTH [in]: _____ WIDTH [in]: _____ STRAIGHT SIDE [in]: _____	BOTTOM FLAT DISH CONE HEIGHT [in]: _____	
TANK VOLUME MAXIMUM [gal]: _____ WORKING [gal]: _____ MINIMUM [gal]: _____	INLET LOCATION: _____ FLOW RATE [cfm]: _____ OUTLET LOCATION: _____ FLOW RATE [cfm]: _____	
BEAM HEIGHT [in]: _____ NOZZLE HEIGHT [in]: _____ OVERALL HEIGHT [in]: _____		
BAFFLES <input type="checkbox"/> QUANTITY _____ SEPARATION 90° 120° OTHER _____		
HEAD ROOM [in]: _____		

PROCESS INFORMATION

TYPE <input type="checkbox"/> BLENDING <input type="checkbox"/> NEUTRALIZATION <input type="checkbox"/> SOLID SUSPENSION <input type="checkbox"/> STORAGE <input type="checkbox"/> OFF BOTTOM <input type="checkbox"/> EMMULSIFICATION <input type="checkbox"/> UNIFORM <input type="checkbox"/> FLOCCULATION <input type="checkbox"/> GAS LIQUID <input type="checkbox"/> BATCH <input type="checkbox"/> IMMISCIBLE FLUID <input type="checkbox"/> CONTINUOUS <input type="checkbox"/> FLASH MIXING	VISCOSITY (cP): _____ MIX TIME [min]: _____ TEMPERATURE [F]: _____ TANK PRESSURE [PSI]: _____ LINE PRESSURE [PSI]: _____ GAS RATE (CFM): _____
SPECIFIC GRAVITY (SG): _____ Liquid 1: _____ Liquid 2: _____ Liquid 3: _____ Solids: _____ Slurry: _____ SOLIDS SETTLING RATE [fpm]: _____ % SOLIDS BY WEIGHT: _____ PARTICLE DISTRIBUTION: _____	NOTES:



MIXER QUOTE AND ORDER FORM

QTY: _____ FILE NO/SERIAL NO: _____ MODEL NO: _____ OUTPUT RPM: _____

Motor Data:

Electric Air
 HP: _____ Voltage: _____ Motor RPM: _____
 1 PH 3 PH 50 Hz 60 Hz

BASE PRICE \$ _____

Enclosure:

TEFC TENV INV DUTY WASH DOWN
 XP _____ CLASS _____ DIV _____ GROUP _____
 Other (as specified by customer): _____

Adder: \$ _____
 Adder: \$ _____
 Adder: \$ _____

VFD:

AC DC Supply Voltage: _____ NEMA Enclosure _____

Adder: \$ _____

Mounting:

Clamp Cup Plate Beam Plate Fixed Plate Angle Riser
 _____ ANSI Flange 150 psi Sanitary Other (Specify): _____

Adder: \$ _____

Seal Type:

Stuffing Box: Std. Pressure Low Pressure Packing: _____
Mechanical Seal: Single Double BLP Other: _____
 Spool Piece w/ Drop Collar Elastomer Material _____

Adder: \$ _____
 Adder: \$ _____
 Adder: \$ _____

Design Temperature & Pressure: _____

Description: _____

Shaft Data:

Chuck Coupling Rigid Flange Rigid Removable Coupling
 Diameter: _____ Length: _____ FMB Other: _____

Adder: \$ _____
 Adder: \$ _____

Impeller Data:

Lower: _____ Type _____ Diameter _____
 Upper: _____ Type _____ Diameter _____ Impeller Spacing _____
 Other: _____ Type _____ Diameter _____ Impeller Spacing _____

Adder: \$ _____

Impeller welded to shaft

Adder: \$ _____

Blades: All Weld Bolted Hub: Keyed Set Screw Welded

Adder: \$ _____

Stabilizer: Yes No

Adder: \$ _____

Wetted Parts: 316 SS 304SS Carbon Steel Other: _____

Adder: \$ _____

Coating:

PVC KYNAR PTFE Natural Rubber By others

Adder: \$ _____

Paint Color:

Adder: \$ _____

Accessories:

Adder: \$ _____

Drawing(s):

Attach TK No. _____

NOTES:

PAYMENT TERMS:
 Credit Card
 NET 30
 >\$24,999
 50% / 50% Net 30
 Other _____

LIST PRICE: \$ _____
DISCOUNT: _____%
COMMISSION: _____%
REP(S): _____
REP(S): _____% _____%