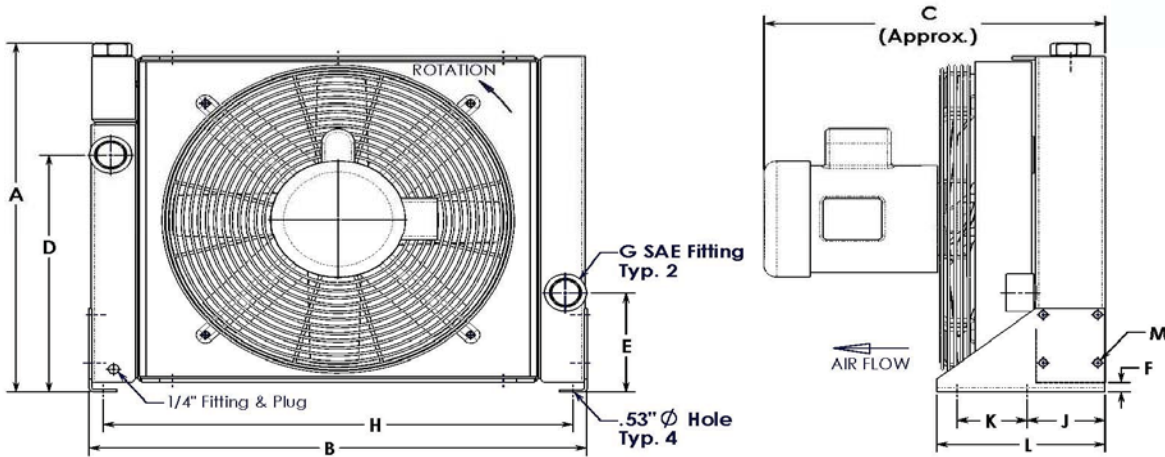


AC SERIES BYPASS COOLERS



COOLER DIMENSIONS



TECHNICAL DATA

MODEL NUMBER	A	B	(Approx.)	D	E	F	G	H	J	K	L	M	Approx. Weights	
													Net	Shipping
AC 8	12.83	16.20	15.00	6.61	3.31	0.55	#16 SAE 1 5/16-12 UN-2B	14.72	3.09	3.50	7.38	M8x10 Bolt (4 PL)	36	47
AC 16	16.72	20.15	15.70	10.47	3.31	0.55		18.66					47	57
AC 30	21.26	26.65	17.76	14.49	6.02	0.59	#20 SAE 1 5/8-12 UN-2B	25.16	4.17	3.74	9.02	M10x20 Bolt (8 PL)	92	127
AC 40	23.11	30.59	18.74	16.39				29.09					127	165
AC 70	28.94	39.53	22.28	19.84	9.92	2.13	2\"/>							
AC 100	37.48	43.46	24.57	29.52	9.06	2.13		41.65	5.39	7.87	15.47	M12x20 Bolt (8 PL)	352	407
AC 130	39.37	45.33	29.75	31.14	9.04	2.11		43.52					368	423
AC 160	45.34	51.24	30.22	34.49	11.02	1.40		49.43					483	548
AC 250	59.76	53.01	30.55	43.62	17.56	2.04	50.35	7.4					10.39	21.57

ORDERING INFORMATION

AC SERIES - Standard
ACL SERIES - Low Noise

MODEL SIZE
SELECTED

MOTOR CODE
0 = No Motor
C = Core Only
1 = Single Phase
3 = Three Phase
575 = 575 Volt

BYPASS DATA
BPNV = BYPASS NO VALVE
BP25 = 25PSI INT BYPASS
BP30 = 30PSI INT BYPASS
BP60 = 60PSI INT BYPASS
BP65 = 65PSI INT BYPASS

CUSTOM FEATURE CODE
R = Reversed Air Flow
AD = SAE to NPT Adaptors
H = Heresite Coating Core
F = Filter